

DRAWING MADE IN THIRD ANGLE PROJECTION

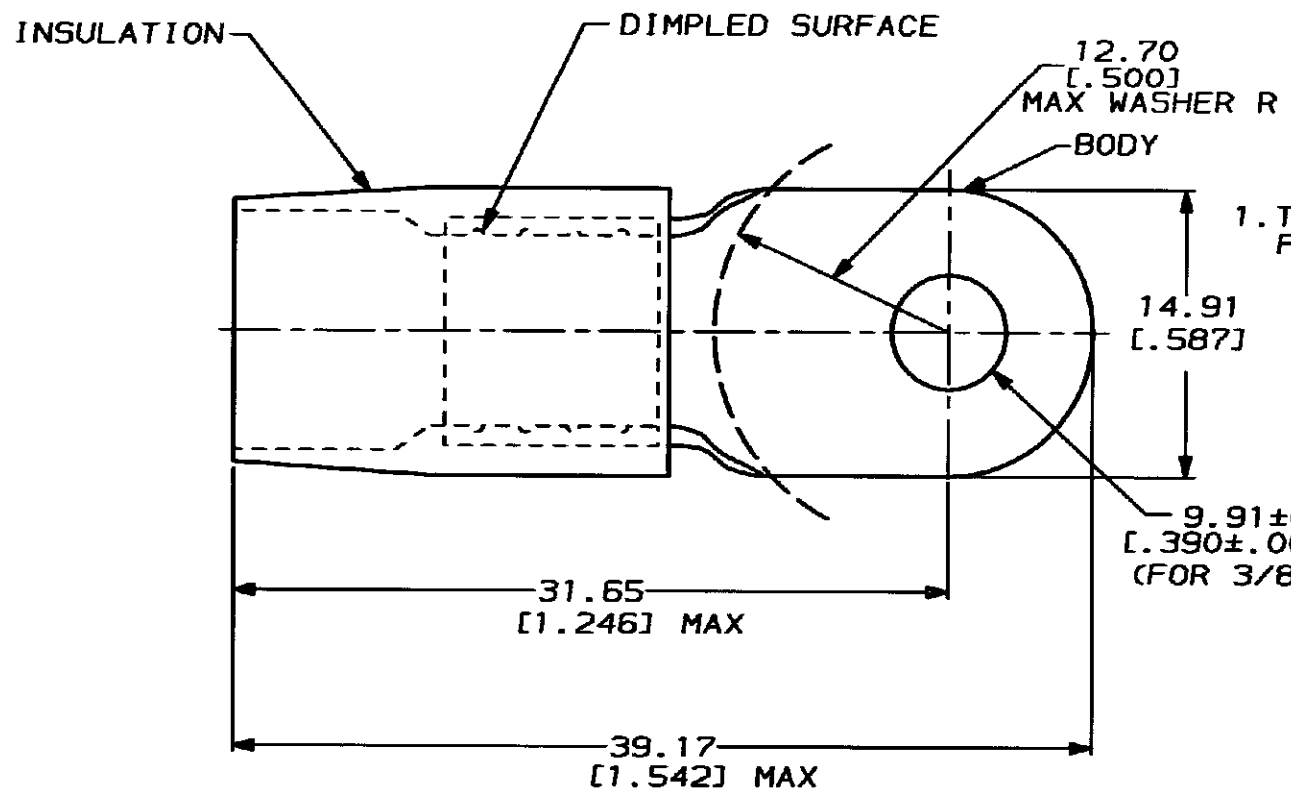
4	3	2	1
THIS DRAWING IS UNPUBLISHED. RELEASED FOR PUBLICATION .19		LOC G	DIST 14
© COPYRIGHT 19 BY AMP INCORPORATED. ALL INTERNATIONAL RIGHTS RESERVED.		P	F
		ZONE	LTR
		REVISIONS	
		DESCRIPTION	
		D EC 0720-0279-93	
		DATE	APPD
		6-18-93	BB

AMP
WIRE RANGE

8 AWG
STRANDED

METRIC

DIMENSIONS LISTED IN mm [INCHES]



1. TONGUE MATERIAL THK 1.02±0.08 [0.040±0.003] FOR 6.50 [0.256] MAX WIRE INS DIA

AMP INCORPORATED
CUSTOMER SERVICE SYSTEMS

FOR ADDITIONAL PRODUCT INFORMATION OR COPIES OF DRAWINGS AND TECHNICAL DOCUMENTS	PRODUCT INFORMATION CENTER 1-800-522-6752
FOR APPLICATION TOOLING INFORMATION	TOOLING ASSISTANCE CENTER 1-800-722-1111
FOR ORDER ENTRY	1-800-526-5142

MAX RECOMMENDED OPERATING TEMPERATURE:
105°C

VOLTAGE RATING:
-

CIRCULAR MIL AREA:
6.64-10.5mm² [13,100-20,800] STRANDED

MS25036-118
CLASS 2

MILITARY P/N A/N CLASS

DO NOT SCALE PRINT. UNLESS SPECIFIED

CONDENSATION ON ENGINEERING TOLERANCES DN:

2 PLC DEC ± 0.20(.008)

3 PLC DEC ± -

ANGLES ± -

MATERIAL
COPPER PER ASTM B-152
NYLON (MIL-M-20693) TYPE 1
COLOR: RED

FINISH
TIN PLATE PER MIL-T-10727

LOOSE PC	324045
PACKAGE TYPE	PART NO
AMP AMP Incorporated Harrisburg, PA 17105-3608	
NAME	
TERMINAL, RING TONGUE, TERMINYL WIRE SIZE: 8 AWG	
SIZE	DRAWING NO
B	C-324045
CAGE CODE	SHEET
00779	1 OF 1
SCALE	
NTS	